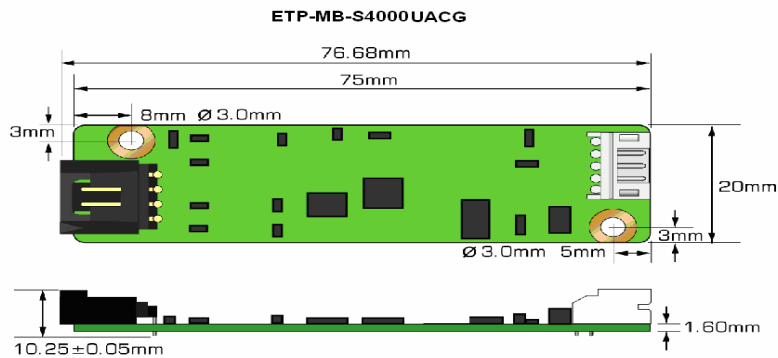


# 4-wire USB Touch Panel Controller

Hantouch launched touch control board to meet latest Restriction of Hazardous Substances (RoHS) Directive. This touch panel controller provides the optimistic performance of your analog resistive touch panels for 4-wire models. It communicates with PC system directly through USB connector. You can see how superior the design is in sensitivity · accuracy and friendly operation. The touch panel driver emulates mouse left and right button function and supports operation systems as following.

OS	Version	Interfaces
<b>Windows</b>	Windows Vista, XP/2000, 9x/ME Windows CE 2.12/3.0/.net/5.0/6.0 Windows Embedded Windows XP Tablet PC edition Windows Vista	RS232/USB/ PS2
<b>Windows</b>	Windows NT4	RS232/PS2
<b>Linux</b>	Mandrake (Mandrake 9.1/9.2/10, Mandriva 2005, Mandriva 2006), Red Hat (7.3/8.0/9.0), Fedora (Core I/II/III/IV/V/VI), Yellow Dog (3.X) , SuSE (9.2/9.3/10/10.1), Ubuntu (5.1/6.06), Debian (3.1, Kernel 2.4.x/2.6.x)	RS232/USB/ PS2 (up to Kernel 2.6.x)
<b>DOS</b>	DOS	RS232/PS2
<b>Mac</b>	Mac OS, Mac OS X (IBM, intel CPU)	USB

## Controller:



# HT-EBU4-3

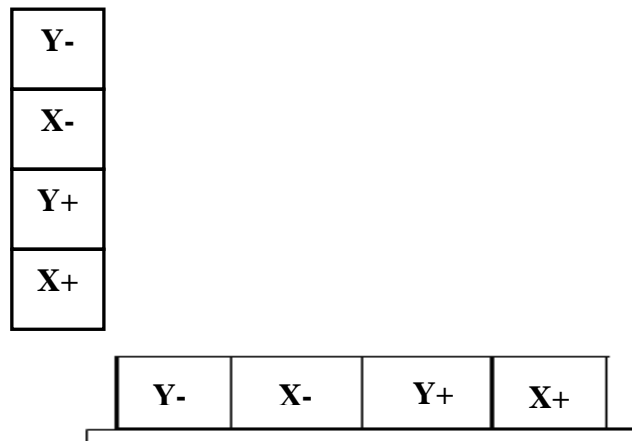
## Specifications:

<b>USB Type Controller</b>	
Circuit Board Dimension	20mm x 75mm (0.79inches x 2.95inches)----(4-Wire)
Power Requirements	D.C.+5V (100mA typical,50mV peak to peak maximum ripple and noise)
Operating Temperature	0 to 50 °C
Storage Temperature	-40 to 80 °C
Relative Humidity	95% at 60 °C
Interface	USB 1.1 & 2.0
Resolution	2048×2048 resolution
Report rate	USB Model: Max. 160 points/sec
Response time	Max. 20 ms
Attached Cable	6' shielded cable with USB-A connector for USB port
Regulatory Approvals	FCC-B , CE, Unaffected by EMI from other nearby and other display devices
EMI	Unaffected by environmental EMI
Panel resistance	4 wire resistive model: 200 ~ 900 ohm
MTBF	200,000 hrs

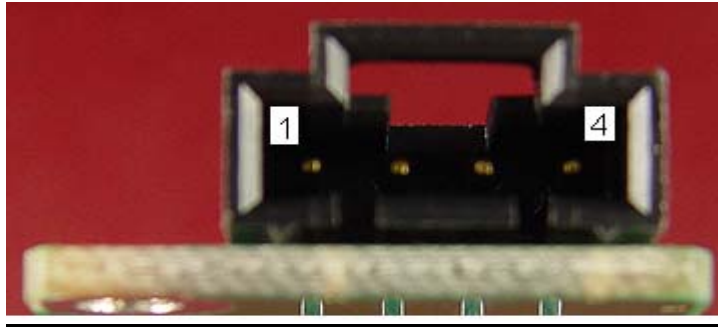
## Product Package:

- (1) HT-EBU4-3 (4 wire USB control board)
- (2) USB cable
- (3) 4 pin Flat cable

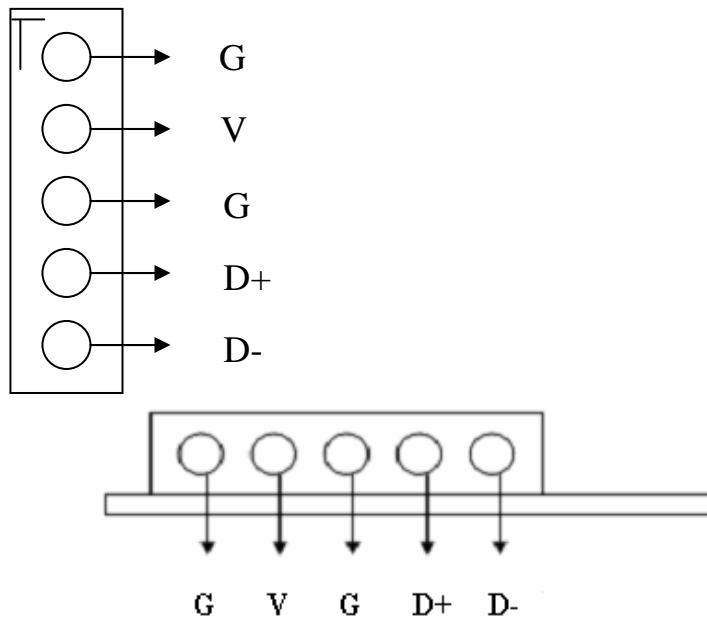
## Controller Panel Pin Assignment:



# HT-EBU4-3



## ***Controller Wafer Pin Assignment:***



## ***Flat Cable Pin Assignment:***

